

## Wooden Structure

⇒ Constructed of treated 4" x 4"s and 3/4" Plywood to form a box.

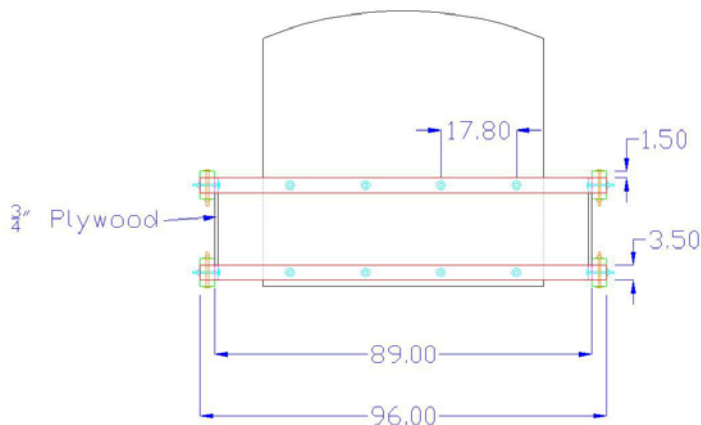
⇒ Liner held down by nylon straps

Number	Size	Description	Grade	Price	Total
2	3/4" x 4" x 8'	Plywood Sheet	CDX Press. Treat	\$37.97	\$75.94
4	4" x 4" x 8'	Frame/Bracing	Pressure Treat.	\$8.97	\$35.88
2	2" x 4" x 12'	Corner Brackets	Yellow Pine - PT.	\$6.97	\$13.94
32	1/2" x 6" L	Bolts w/ Nuts		\$1.50	\$48.00
8	1/2" x 8" L	Bolts w/ Nuts		\$1.50	\$12.00
2	2" x 20'	S- Line Loop Strap	3300 lb work force	\$23.00	\$46.00
1	18" x 20'	Polypropylene Liner	36 mil.	\$341.82	\$341.82
1	8"	C-Clamp		\$15.00	\$15.00
				Shipping	\$14.04
				Total	\$602.62

## Project Summary

We conclude that a secondary containment structure, which fulfills Dow AgroSciences objectives, cannot be designed for the desired target price of \$500. The 30 mil liner, compatible with Telone®, that we reviewed accounted for over 3/5<sup>ths</sup> of the target price. Because of this, no structurally sound design can be created at this time. If in the future liner prices decrease, then the project could be completed for under \$500.

Therefore, we recommend existing commercial containment at this time.



## We Would Like to Thank...

• Anton Arnoldy, Dow AgroSciences

• For giving us the opportunity to pursue this project, a tour of the Zionsville facilities, and his cooperation throughout this project.

• Dr. Don Jones, Faculty Advisor

• For all his knowledge and support throughout this project.

